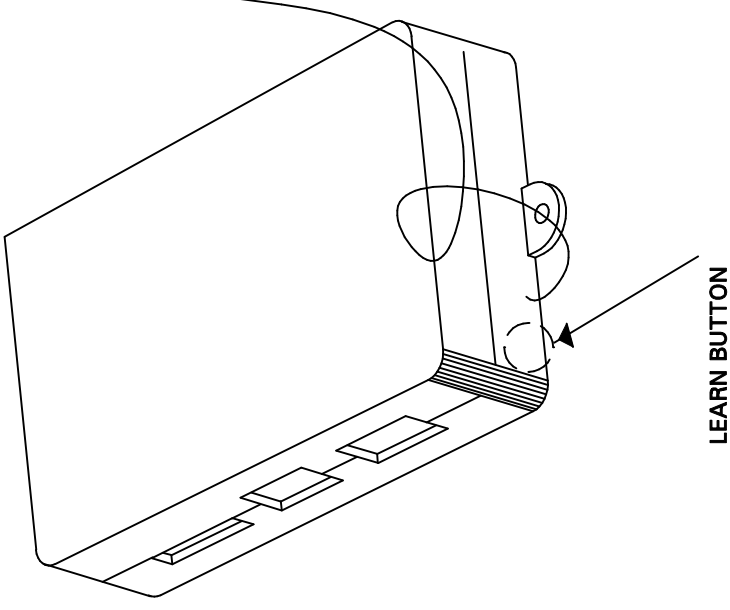
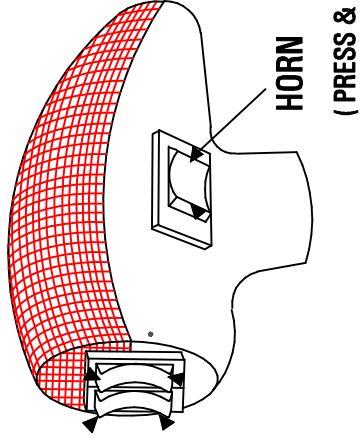
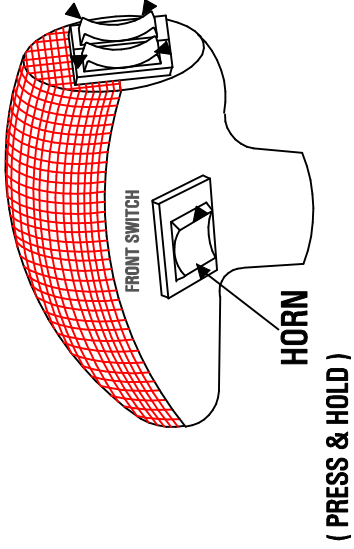


LEARNING CP05



LEARNING CP05

Follow steps 1,2 & 3

1) PRESS AND RELEASE THE LEARN BUTTON

2) PRESS AND HOLD HORN SWITCH ON CP05 GRIP FOR 3 SECONDS

3) WAIT 20 SECONDS BEFORE OPERATING FUNCTIONS